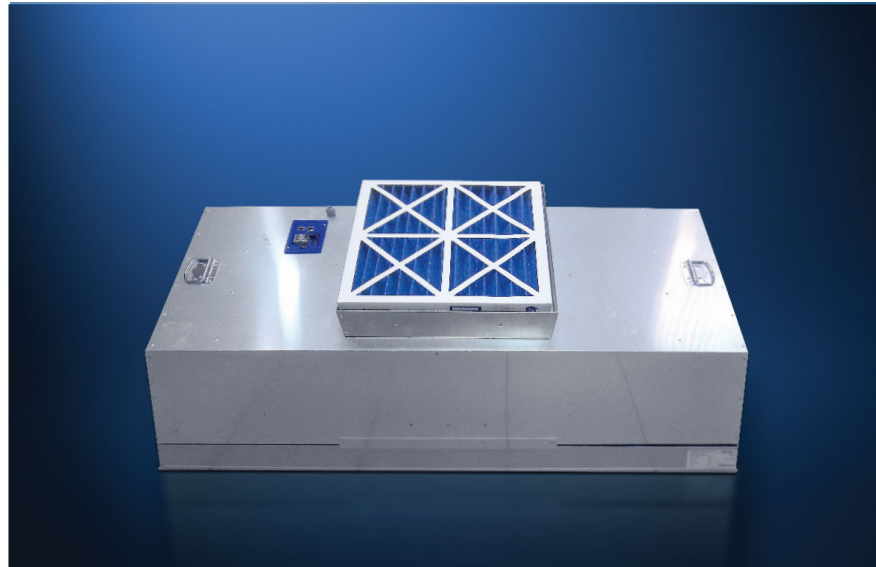




Fan Filter Unit

Type FUA/B



Description

The Fan Filter Units FUA/B (FFU) from FILT AIR Ltd. are designed to provide clean air to individual workstations or entire cleanrooms. Due to the special construction the filter, downstream velocity is very consistent and the noise level is very low. The Fan Filter Unit is designed with an AC or EC motor, which gives high efficiency in power consumption and has an extremely long life time. Various filter types and classes can be combined together with the fan filter unit.

Optional

Each fan filter unit can be equipped with a pressure transmitter that measures the pressure drop of the filter. For fan filter units with the EC motor, the pressure transmitter can be connected to the ModBus connection. For more options, please see the controller brochure.

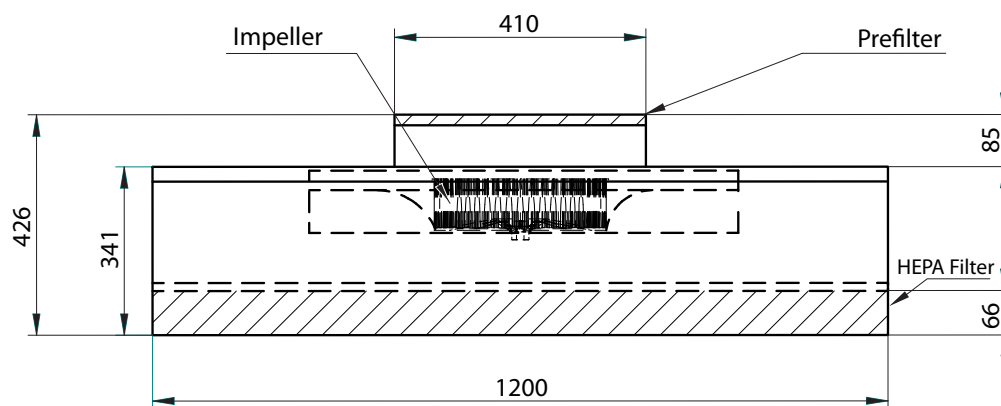


Fine Dust - HEPA / ULPA

FILT AIR Ltd.

- Fine Dust Filter
- Final Filter for Fan Filter Units
- Final Filter for Clean Rooms
- Final Filter for Channel Installation
- Highly Active Filter Surface - Low Pressure Drop
- Final Filter for Grid Systems

Dimensional Drawing

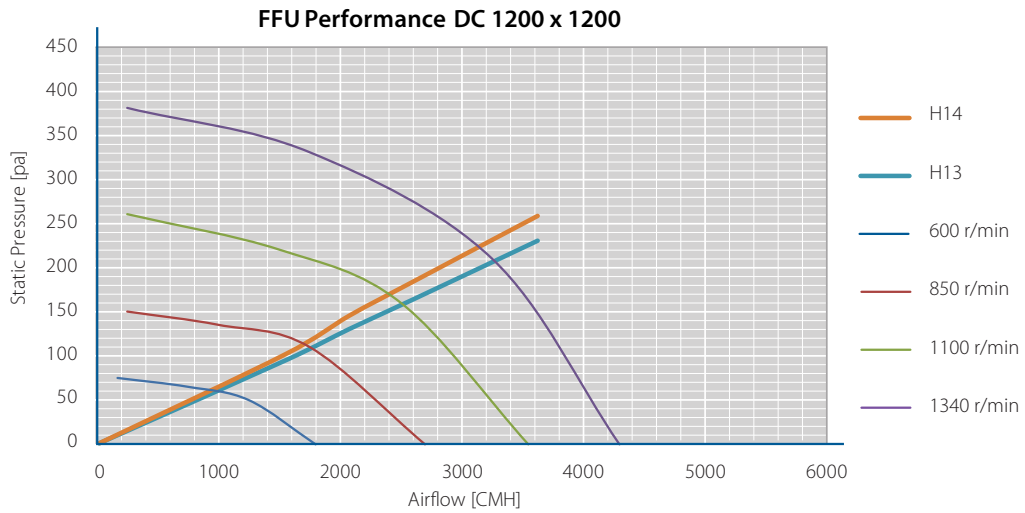
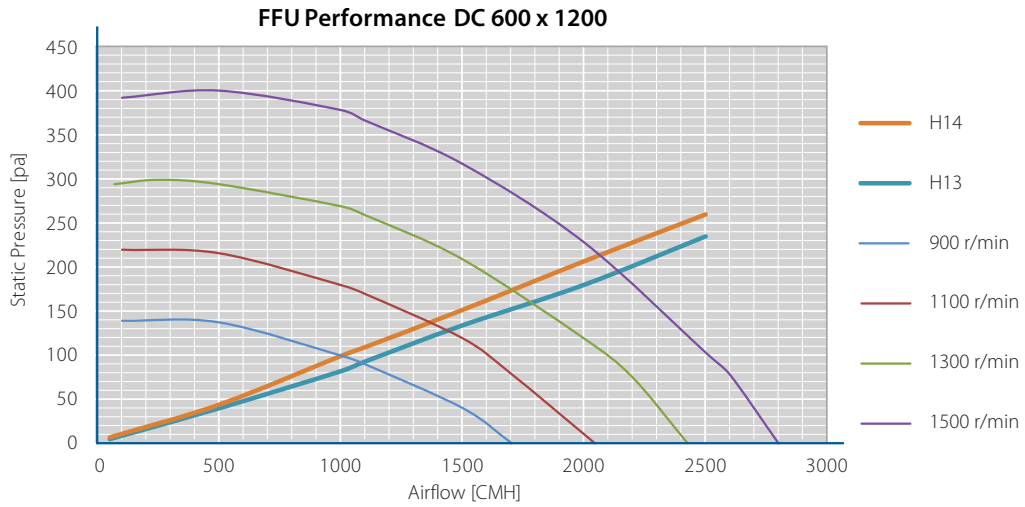


APPLICABLE STANDARDS:

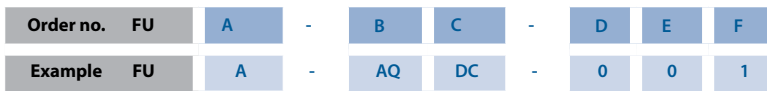
- EN 1822-5
- IEST-RP-CC0001.3
- EN 779
- ASHRAE 52.1
- ISO 9001:2008

Technical Data

Size	mm	AD	AQ	ID
Housing	mm	600 x 600	1200 x 600	1200 x 1200
Weight (without Filter)	kg	15	20	40
AC Motor (IP20)				
Voltage/Phase	V/ph	230/1	230/1	230/1
Frequency	Hz	50/60	50/60	50/60
Nominal Current	A	0.4/1.0	0.7/1.2	1.0/1.6
Nominal Power	W	105	145	275
Rotation Speed Max	1/min	1740	1740	1740
Operation Temp.	°C	0-50	0-50	0-50
Air Velocity	m/s	0.4	0.4	0.4
Air Volume	m ³ /h	520	1030	2070
Power Consumption	W	110	130	230
Sound Level	dB(A)	55	56	62
DC Motor (IP20)				
Voltage / Phase	V / ph	230 / 1	230 / 1	230 / 1
Frequency	Hz	50/60	50/60	50/60
Nominal Current	A	0.4/1.0	0.4/1.0	1.0/1.4
Max. Rotation Speed	1/min	1740	1740	1340
Operation Temp.	°C	0-50	0-50	0-50
Air Velocity	m/s	0.4	0.4	0.4
Air Volume	m ³ /h	520	1030	2070
Power Consumption	W	65	75	160
Sound Level	dB(A)	48	49	54



Order Numbers



FFU Type	A	Size LxW	B	Motor Type	C	Free	D	Free	E	Free	F
FILT AIR Ltd. Standard	A	600 x 600 mm	AD	AC	AC	Without Prefilter	1		0		0
RSR	B	1200 x 600 mm	AQ	EC	DC	With Prefilter	0				
		1200 x 1200 mm	ID								
		Other dimensions available upon request									

Specifications are subject to change without prior notice

FEATURES

- Touch Screen
- Controls up to 247 FFU Units
- Can be connected together with several Controllers
- ModBus connectivity
- Possibility to connect to Building control Systems

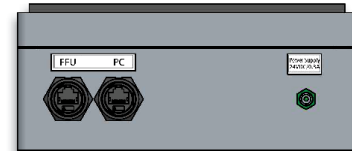
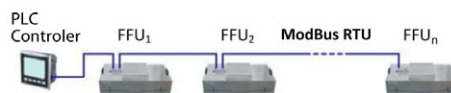
FCU Touch Screen Control System

The new intelligent FCU Touch Screen Control System offers various features for its user.

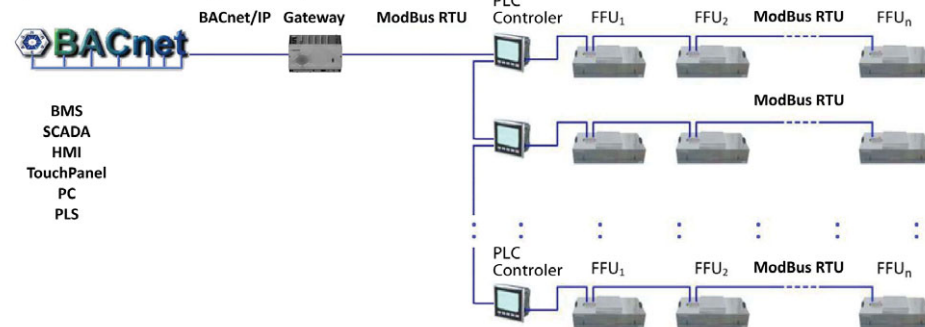


Connection Diagram

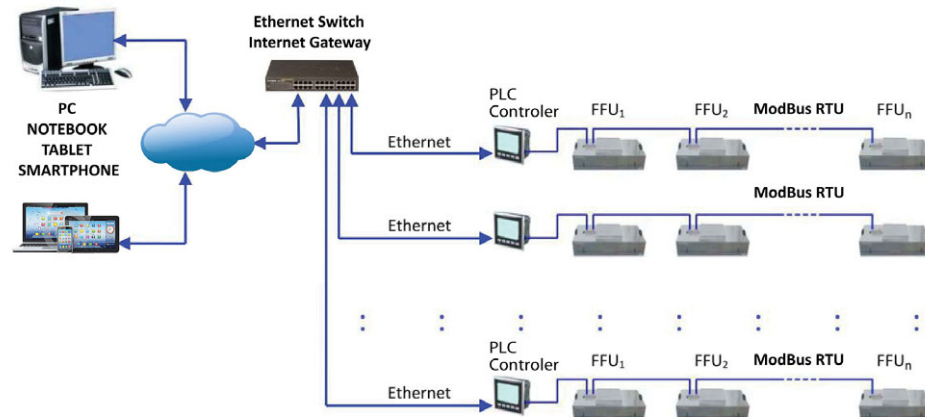
Option 1 Full monitoring & control up to 247 FFUUnits



Option 2 Full monitoring & control up to 61009 FFUUnits



Option 3 Full monitoring & control more than 4 000 000 000 FFUUnits



HEPA & ULPA Filters for Industrial Clean Rooms

FILT AIR Ltd. specializes in the use of advanced technologies to implement a purified air supply for high-tech industry clean rooms, the microelectronics business sectors, and pharmaceutical industries. FILT AIR Ltd. has a broad range of client groups, such as hospitals, industrial plants, commercial buildings, and companies requiring clean air inside gas turbines.

FILT AIR Ltd.'s range of products is designed and produced in order to achieve the highest possible quality and offers safety and reliability with optimum prices and product availability. Since 2001, FILT AIR Ltd. has been registered and certified for Quality Management according to ISO 9001 (Registration No: IQNet: IL-24203).

FILT AIR Ltd.

Member of the Beth-El Group

Main Office: P.O. Box 166

Zikhron Yaaqov, 3095101, Israel

Tel: + 972-4-610 7777

Fax: + 972-4-635 0396

info@filt-air.com

www.filt-air.com